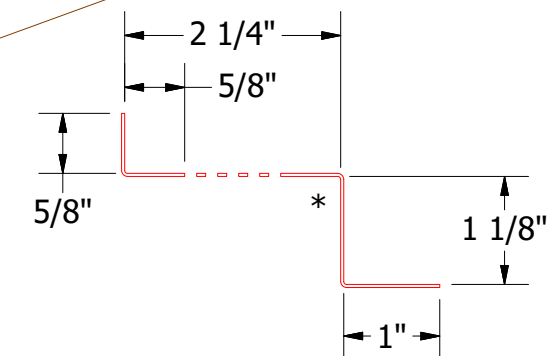
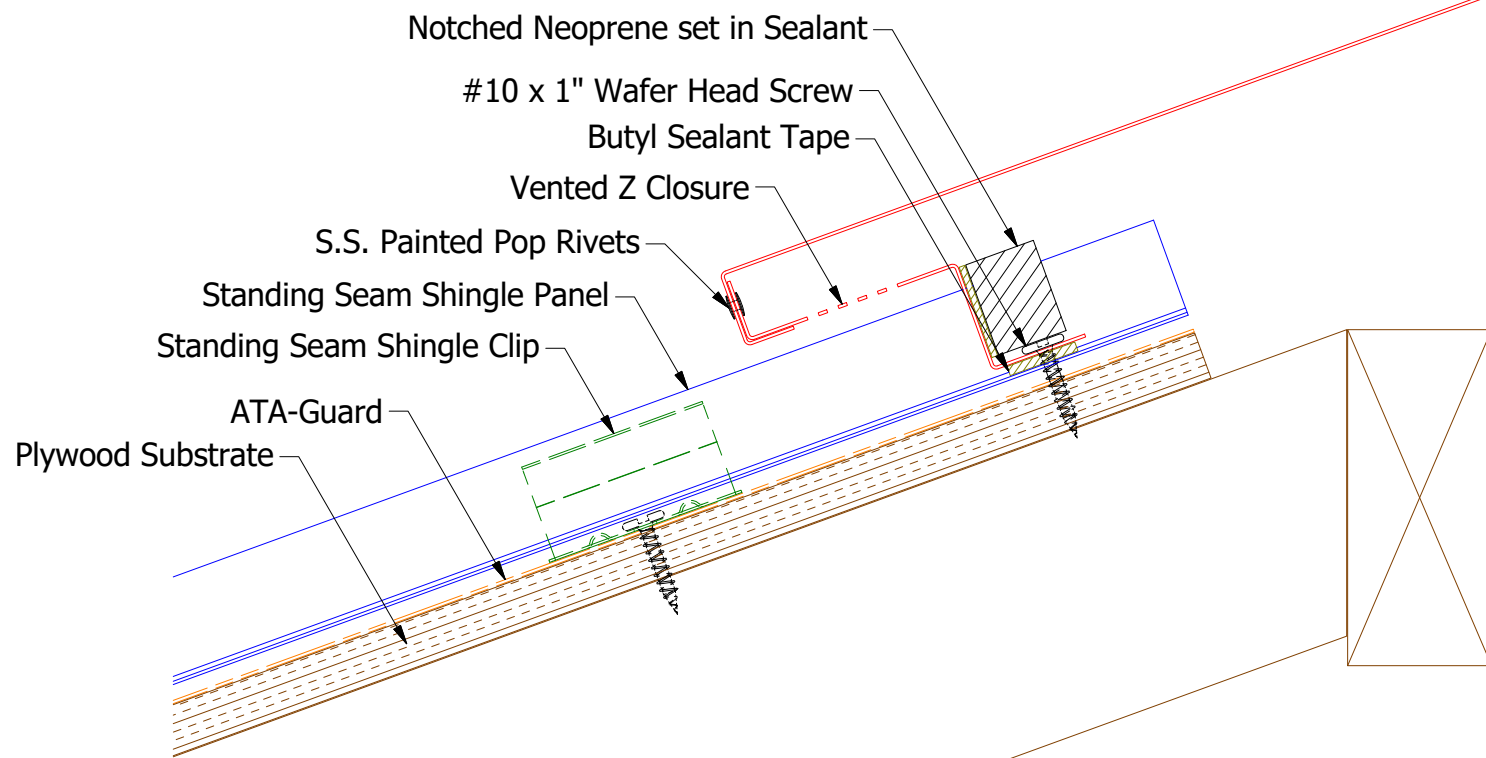
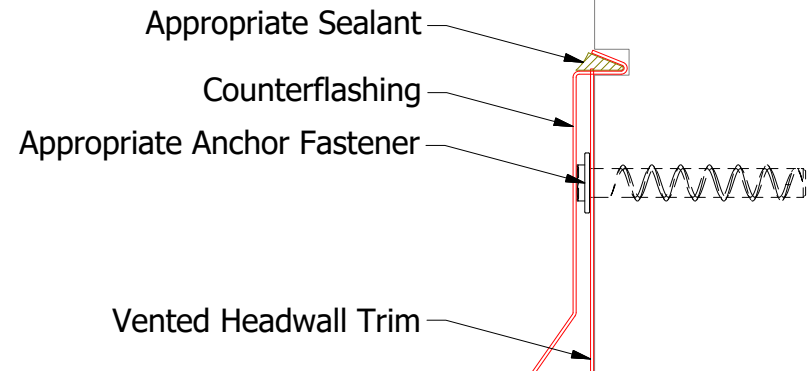
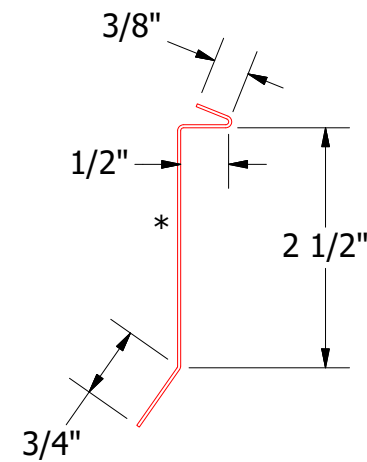
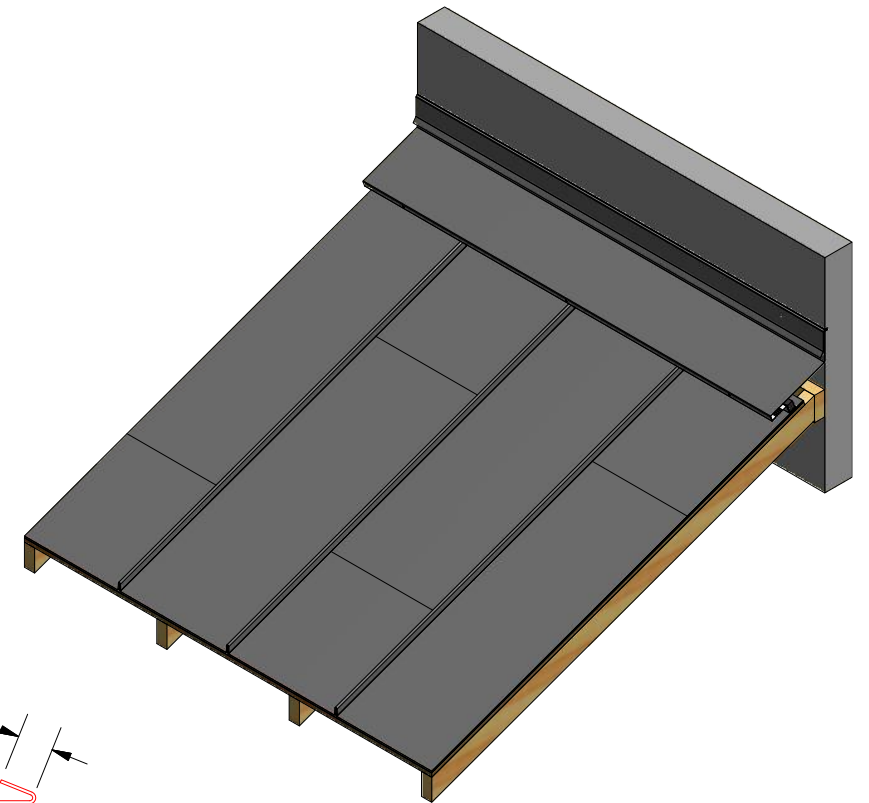


Note: Start/End Vented Z Closure runs with at least 2'-0" of Non-Vent Z Closures.

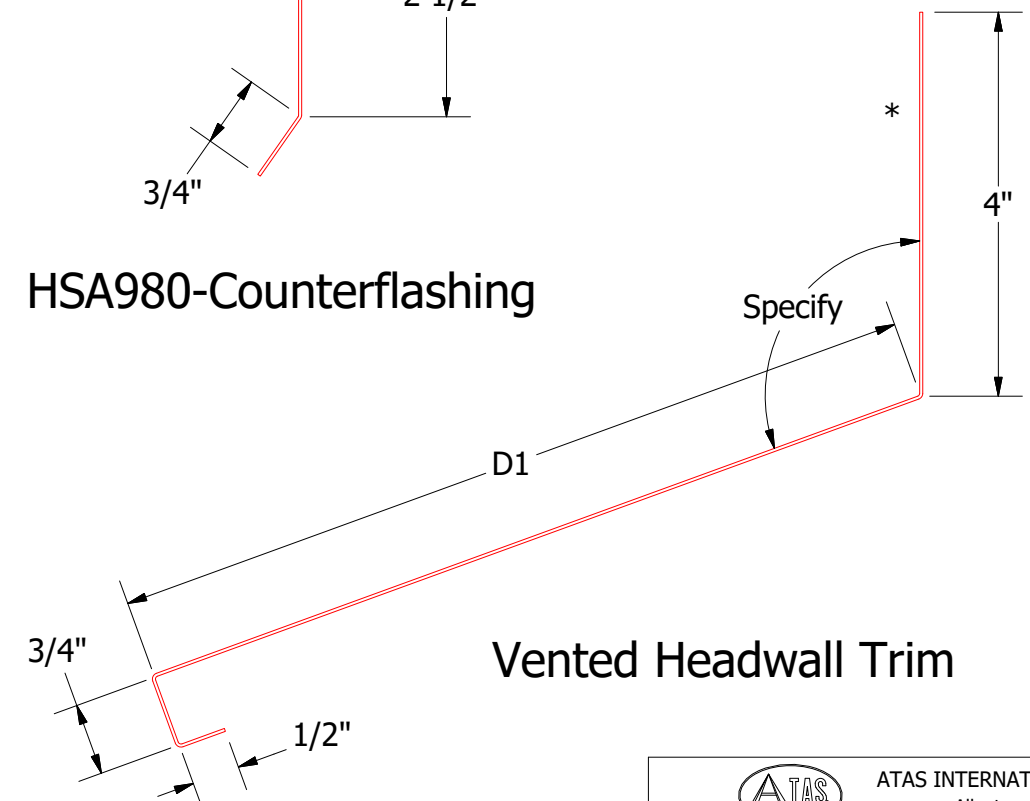


HSA911-Vented Z Closure

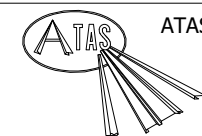
Note: * denotes color side.



HSA980-Counterflashing



Vented Headwall Trim



ATAS INTERNATIONAL, INC
Allentown PA
610-395-8445
Mesa AZ
480-558-7210

TITLE				Standing Seam Shingle Vented Headwall Detail	
DWG. NO.	DR	MBP	DATE	6/6/2019	
MATERIAL	APP		DATE		
REV. NO.	DATE	DESCRIPTION OF REVISION	BY	APP	SH. SIZE B SCALE X:X